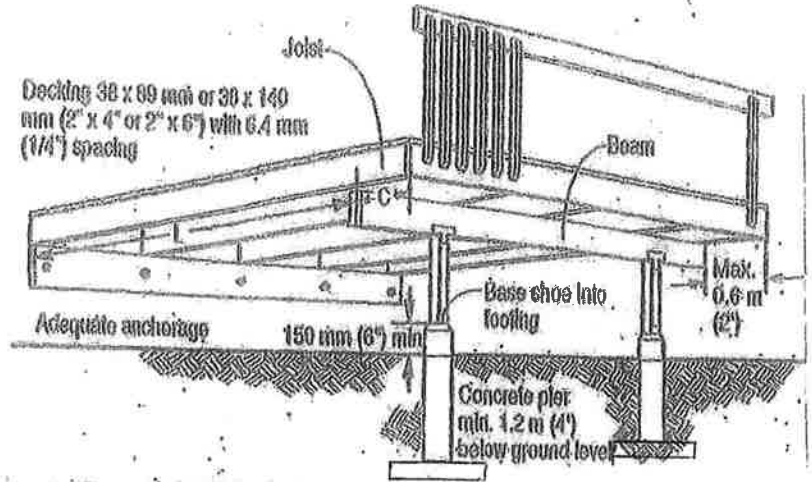


Municipality of Dysart et al Building Department

Decks

Foundation :

Decks that have an elevation of less than .6 m (2 ft.) above ground level and less than 55 m<sup>2</sup> (538 ft<sup>2</sup>) may be mounted on surface pier pads. Decks exceeding .6 m (2 ft) above ground level must mounted on 250 mm (10") sono tubes with a footing.



Wooden posts must be minimum 6x6.

Guards :

Are required on all open sides where the difference in elevation between adjacent levels exceeds 600 mm (24") or the adjacent surface within 1.2 m (3' 11") from the walking surface has a slope of more than 1 in 2.

Guards must be designed to prevent climbing. (no horizontal members except top & bottom rails)

Maximum spacing of openings 100 mm (4")

Height of Guards- Where the difference in elevation exceeds 600 mm (24") but does not exceed 1.8 m (5' 11") guards must be 900 mm (35") high.

Where the difference in elevation exceeds 1.8 m (5' 11") guards must be a minimum of 1070 mm (42") high.

**Important**-Guards must be constructed in accordance with *Supplementary Standards SB-7* (copies available at office) or the loading criteria in Sec. 4 of the OBC.

Stairs

If there are 3 risers or less guard & handrail are not required.

4 or more risers handrail & guards are required

Height of handrail on stairs shall have a height of 800 mm (2' 7") to 900 mm (35")

Guards at landings & on stairs must be a minimum height of 900 mm (35")

Maximum Spans

<u>Maximum Spans</u>	Beams	Floor Joists 16" or 24"OC
8 ft	3-2x8	2x6
10 ft	3-2x8	2x8
12 ft	3-2x10	2x10

Note: to comply with guideline SB-7 minimum joist size must be 2x8

Name: \_\_\_\_\_

Area of Deck: \_\_\_\_\_ Sq Ft

Measurements: \_\_\_\_\_ X \_\_\_\_\_

Beam Span: \_\_\_\_\_ Beam Size: \_\_\_\_\_

Spacing of Piers: \_\_\_\_\_ Type of Pier: \_\_\_\_\_

Joists size: \_\_\_\_\_ Span: \_\_\_\_\_

Height of elevation above ground: \_\_\_\_\_ Height of Guards: \_\_\_\_\_

Maximum cantilever- 2 ft.

Attachment to dwelling : Ledger with double 3/8" lag bolts 32" OC , joists attached with hangers

Or list alternative- \_\_\_\_\_

Sketch Layout of deck below